

Command Center

DRAWING INDEX

Document No.	Drawing Type	Description
JAVS-0.01	Cover Sheet	Cover Sheet and Drawing Index
JAVS-0.02	Symbol Legend	Legend Sheet
JAVS-1.01	Floor Plan	A/V Device Locations-Facility Floor Plan
JAVS-1.02	Floor Plan	A/V Device Locations-A/V Floor Plan
JAVS-3.01	A/V Functional Diagram	Audio Functional Diagram
JAVS-4.01	A/V Functional Diagram	Video Functional Diagram 1 of 3
JAVS-4.02	A/V Functional Diagram	Video Functional Diagram 2 of 3
JAVS-4.03	A/V Functional Diagram	Video Functional Diagram 3 of 3
JAVS-5.01	A/V Functional Diagram	Control Functional Diagram
JAVS-6.01	Elevations	A/V Device Locations-Plan, Section & Elevation-Command Center



Judge Audio Visual Solutions, Inc.
 421 Fehleley Drive, Suite E
 King of Prussia, PA 19406
 Tel: (610) 825-7040
 Fax: (610) 825-7046

All designs, concepts, ideas and arrangements depicted on these drawings are the property of Judge Audio Visual Solutions. No distribution, changes or deviations shall be allowed without the written consent of Judge Audio Visual Solutions.

AS-BUILT

SUBMISSION RECORD

CONSTRUCTION DRAWINGS

NO.	DATE	SUBMISSION	BY:
A	9/30/10	Issued for Review	SLF
B	10/11/10	Issued for Construction	SLF

SINGLE LINE DRAWINGS

NO.	DATE	SUBMISSION	BY:
A	8/18/10	Issued for Review	SLF
B	10/11/10	Issued for Construction	SLF
C	10/11/10	Issued with Future Equipment	SLF

AS-BUILT SET

NO.	DATE	SUBMISSION	BY:
D	12/14/10	Issued As-Built	SLF

REVISION RECORD

NO.	DATE	REVISION	BY:

JOB NUMBER:
 SCALE: N/A
 DESIGNED BY: N. Kimball
 ENGINEERED BY: L. Uhl
 DRAWN BY: S. Fannon
 PROJ. MANAGER: N. Kimball

FILE NAME:
 CLIENT:

LOCATION:

PROJECT:
 Command Center
 Europe

DRAWING TITLE:
 Cover Sheet
 and
 Drawing Index

DRAWING NUMBER:
JAVS-0.01



Judge Audio Visual Solutions, Inc.
 421 Fehleley Drive, Suite E
 King of Prussia, PA 19406
 Tel: (610) 825-7040
 Fax: (610) 825-7046

All designs, concepts, ideas and arrangements depicted on these drawings are the property of Judge Audio Visual Solutions. No distribution, changes or deviations shall be allowed without the written consent of Judge Audio Visual Solutions.

AS-BUILT

SUBMISSION RECORD

CONSTRUCTION DRAWINGS

NO.	DATE	SUBMISSION	BY:
A	9/30/10	Issued for Review	SLF
B	10/11/10	Issued for Construction	SLF

SINGLE LINE DRAWINGS

NO.	DATE	SUBMISSION	BY:
A	8/18/10	Issued for Review	SLF
B	10/11/10	Issued for Construction	SLF
C	10/11/10	Issued with Future Equipment	SLF

AS-BUILT SET

NO.	DATE	SUBMISSION	BY:
D	12/14/10	Issued As-Built	SLF

REVISION RECORD

NO.	DATE	REVISION	BY:

JOB NUMBER:
 SCALE: N/A
 DESIGNED BY: N. Kimball
 ENGINEERED BY: L. Uhl
 DRAWN BY: S. Fannon
 PROJ. MANAGER: N. Kimball
 FILE NAME:

CLIENT:

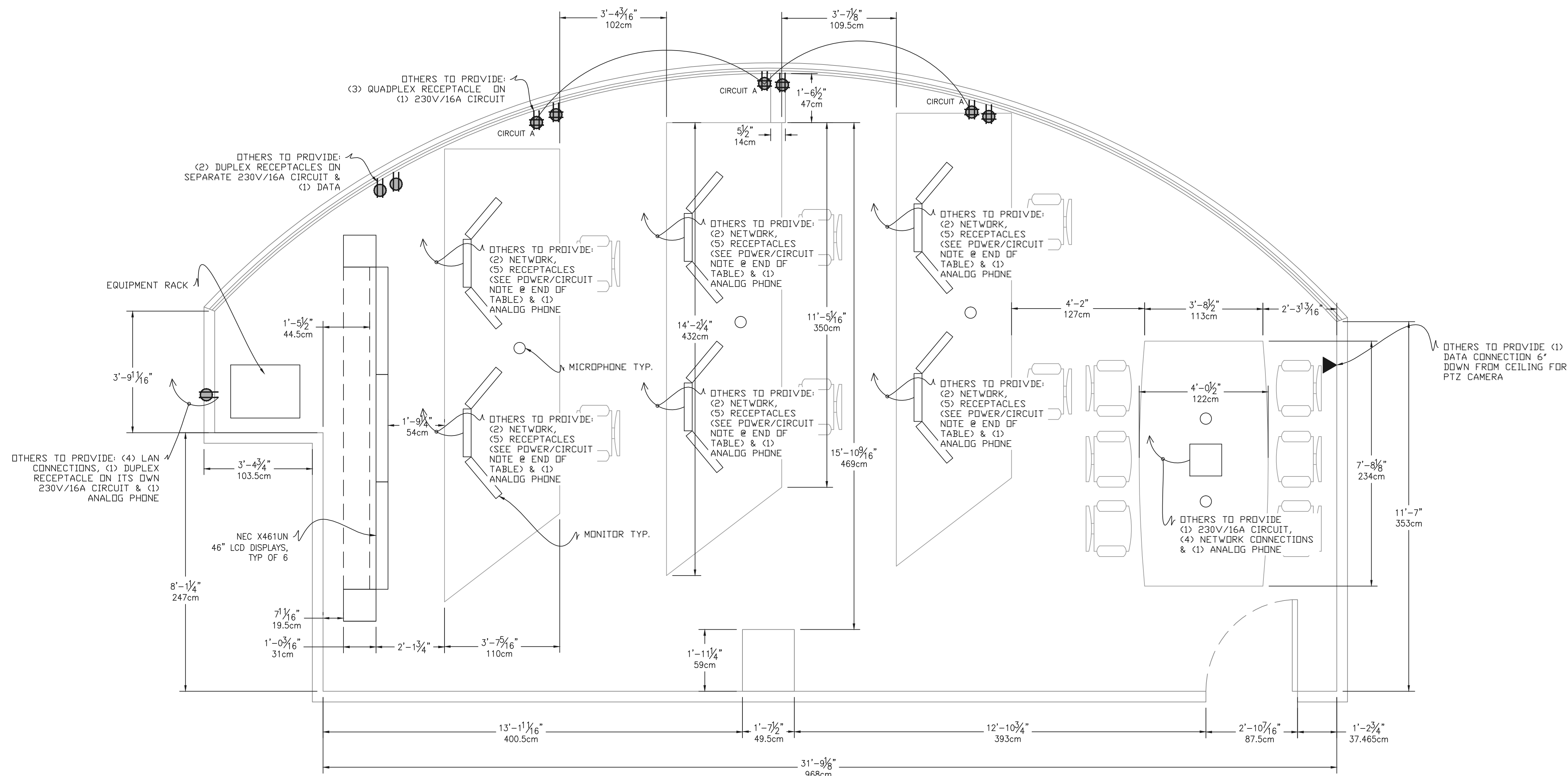
LOCATION:

PROJECT:
 Command Center
 Europe

DRAWING TITLE:
 A/V Device Locations
 Facility Floor Plan

DRAWING NUMBER:

JAVS-1.01



A
 1.01
 A/V DEVICE LOCATIONS—FACILITY PLAN VIEW
 SCALE: 1/2"=1'-0"



Judge Audio Visual Solutions, Inc.
 421 Fehleley Drive, Suite E
 King of Prussia, PA 19406
 Tel: (610) 825-7040
 Fax: (610) 825-7046

All designs, concepts, ideas and arrangements depicted on these drawings are the property of Judge Audio Visual Solutions. No distribution, changes or deviations shall be allowed without the written consent of Judge Audio Visual Solutions.

AS-BUILT

SUBMISSION RECORD

CONSTRUCTION DRAWINGS

NO.	DATE	SUBMISSION	BY:
A	9/30/10	Issued for Review	SLF
B	10/1/10	Issued for Construction	SLF

SINGLE LINE DRAWINGS

NO.	DATE	SUBMISSION	BY:
A	8/18/10	Issued for Review	SLF
B	10/1/10	Issued for Construction	SLF
C	10/11/10	Issued with Future Equipment	SLF

AS-BUILT SET

NO.	DATE	SUBMISSION	BY:
D	12/14/10	Issued As-Built	SLF

REVISION RECORD

NO.	DATE	REVISION	BY:

JOB NUMBER:
 SCALE: N/A
 DESIGNED BY: N. Kimball
 ENGINEERED BY: L. Uhl
 DRAWN BY: S. Fannon
 PROJ. MANAGER: N. Kimball
 FILE NAME:
 CLIENT:

LOCATION:

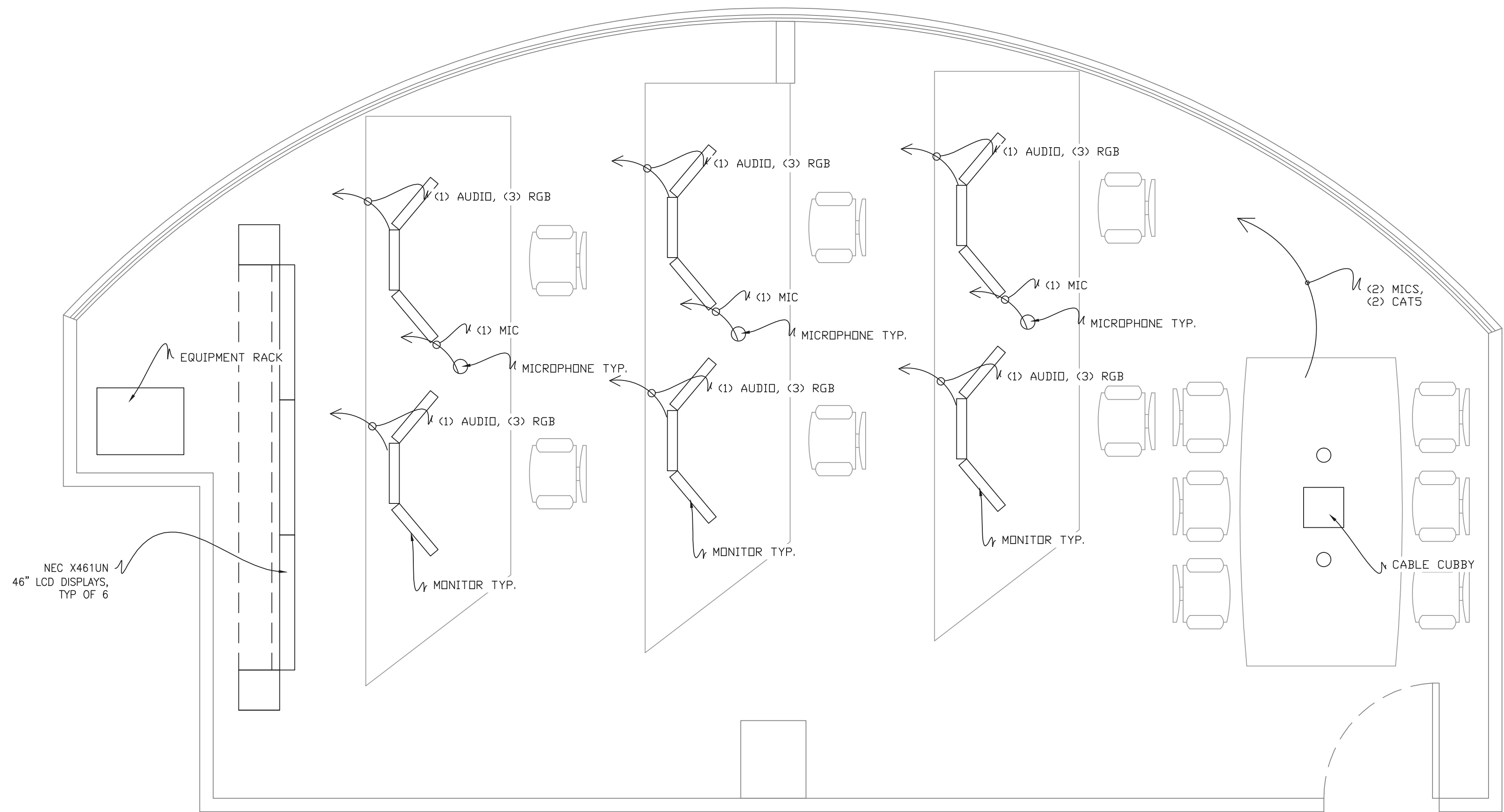
PROJECT:

Command Center
 Europe

DRAWING TITLE:
 A/V Device Locations
 A/V Floor Plan

DRAWING NUMBER:

JAVS-1.02



A
 1.01
 A/V DEVICE LOCATIONS—FACILITY PLAN VIEW
 SCALE: 1/2"=1'-0"



Judge Audio Visual Solutions, Inc.
 421 Fehleley Drive, Suite E
 King of Prussia, PA 19406
 Tel: (610) 825-7040
 Fax: (610) 825-7046

All designs, concepts, ideas and arrangements depicted on these drawings are the property of Judge Audio Visual Solutions. No distribution, changes or deviations shall be allowed without the written consent of Judge Audio Visual Solutions.

AS-BUILT

SUBMISSION RECORD

CONSTRUCTION DRAWINGS

NO.	DATE	SUBMISSION	BY:
A	9/30/10	Issued for Review	SLF
B	10/1/10	Issued for Construction	SLF

SINGLE LINE DRAWINGS

NO.	DATE	SUBMISSION	BY:
A	8/18/10	Issued for Review	SLF
B	10/1/10	Issued for Construction	SLF
C	10/11/10	Issued with Future Equipment	SLF

AS-BUILT SET

NO.	DATE	SUBMISSION	BY:
D	12/14/10	Issued As-Built	SLF

REVISION RECORD

NO.	DATE	REVISION	BY:

JOB NUMBER:
 SCALE: N/A
 DESIGNED BY: N. Kimball
 ENGINEERED BY: L. Uhl
 DRAWN BY: S. Fannon
 PROJ. MANAGER: N. Kimball
 FILE NAME:
 CLIENT:

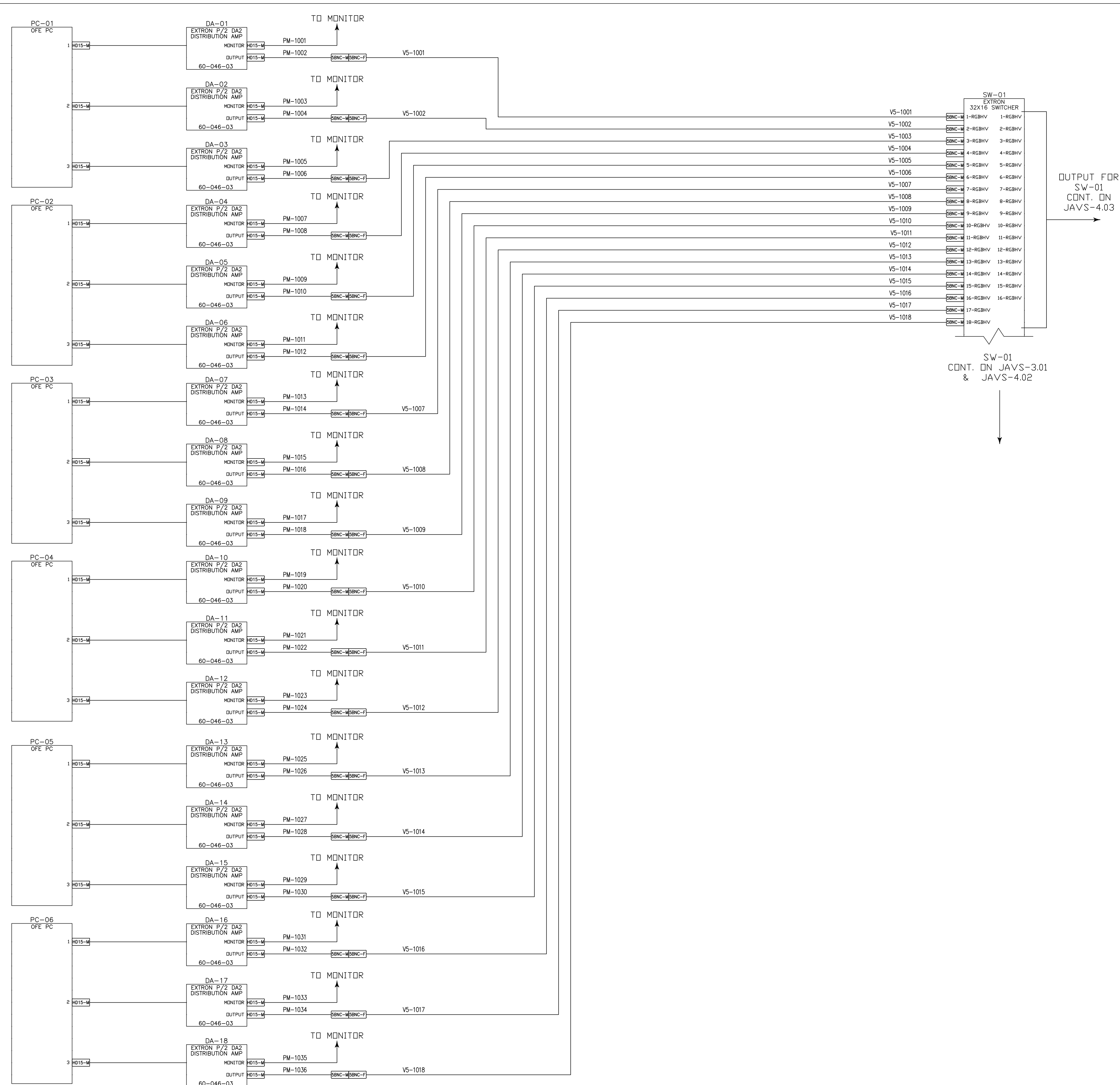
LOCATION:

PROJECT:
 Command Center
 Europe

DRAWING TITLE:
 Video
 Functional Diagram
 1 of 3

DRAWING NUMBER:

JAVS-4.01





Judge Audio Visual Solutions, Inc.
 421 Fehleley Drive, Suite E
 King of Prussia, PA 19406
 Tel: (610) 825-7040
 Fax: (610) 825-7046

All designs, concepts, ideas and arrangements depicted on these drawings are the property of Judge Audio Visual Solutions. No distribution, changes or deviations shall be allowed without the written consent of Judge Audio Visual Solutions.

AS-BUILT

SUBMISSION RECORD

CONSTRUCTION DRAWINGS			
NO.	DATE	SUBMISSION	BY:
A	9/30/10	Issued for Review	SLF
B	10/1/10	Issued for Construction	SLF

SINGLE LINE DRAWINGS

NO.	DATE	SUBMISSION	BY:
A	8/18/10	Issued for Review	SLF
B	10/1/10	Issued for Construction	SLF
C	10/11/10	Issued with Future Equipment	SLF

AS-BUILT SET

NO.	DATE	SUBMISSION	BY:
D	12/14/10	Issued As-Built	SLF

REVISION RECORD

NO.	DATE	REVISION	BY:

JOB NUMBER:
 SCALE: N/A
 DESIGNED BY: N. Kimball
 ENGINEERED BY: L. Uhl
 DRAWN BY: S. Fannon
 PROJ. MANAGER: N. Kimball
 FILE NAME:
 CLIENT:

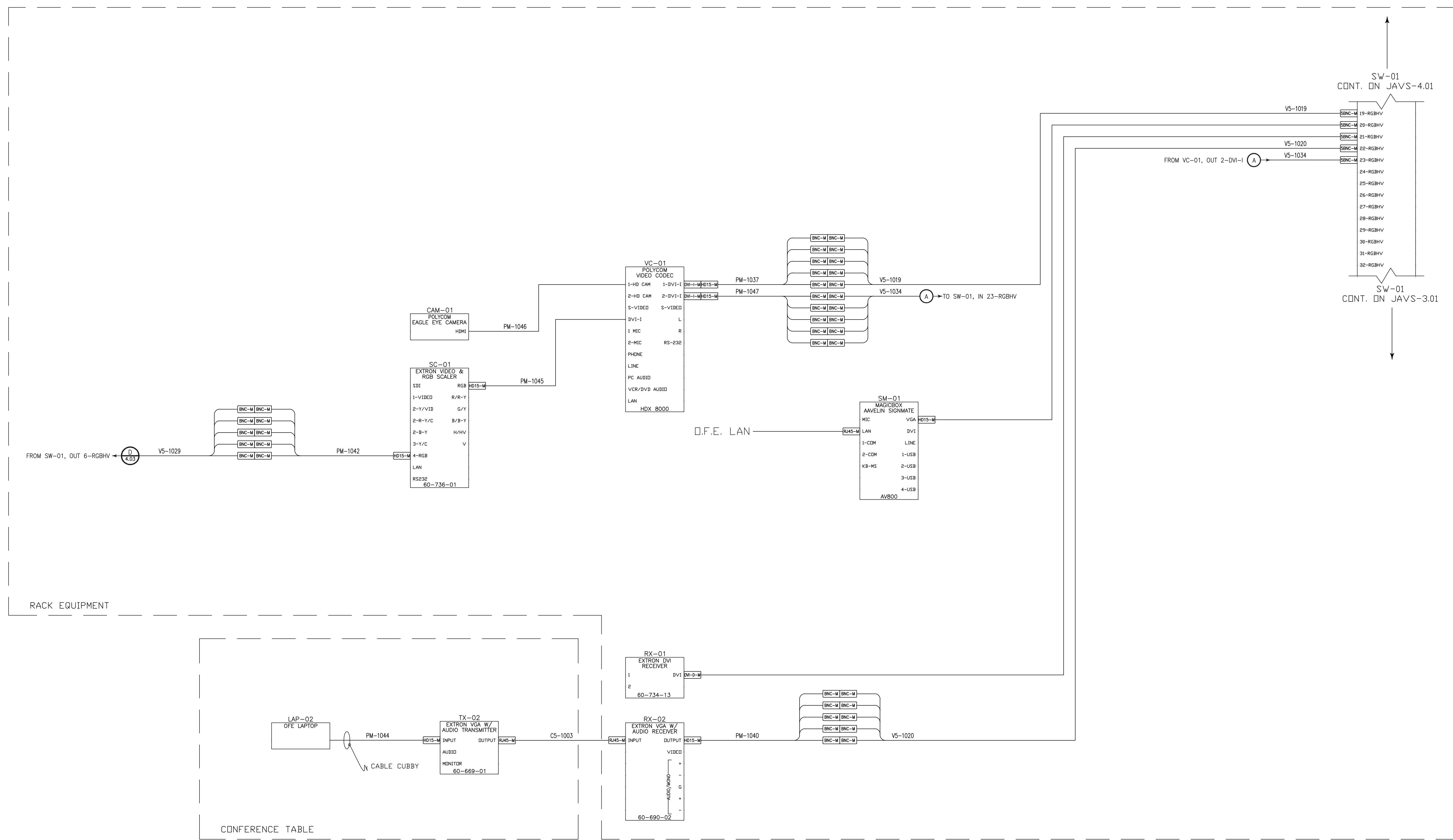
LOCATION:

PROJECT:
 Command Center
 Europe

DRAWING TITLE:
 Video
 Functional Diagram
 2 of 3

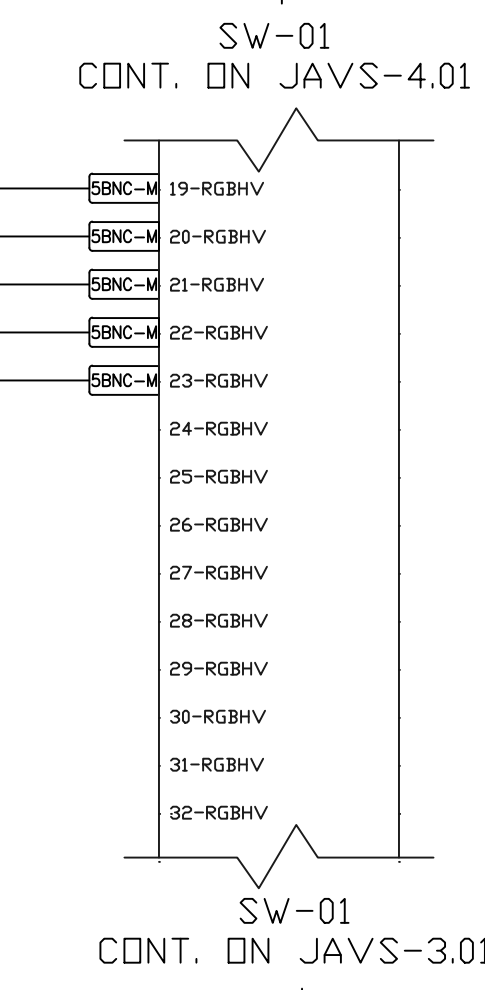
DRAWING NUMBER:

JAVS-4.02



RACK EQUIPMENT

CONFERENCE TABLE





Judge Audio Visual Solutions, Inc.
 421 Fehleley Drive, Suite E
 King of Prussia, PA 19406
 Tel: (610) 825-7040
 Fax: (610) 825-7046

All designs, concepts, ideas and arrangements depicted on these drawings are the property of Judge Audio Visual Solutions. No distribution, changes or deviations shall be allowed without the written consent of Judge Audio Visual Solutions.

AS-BUILT

SUBMISSION RECORD

CONSTRUCTION DRAWINGS

NO.	DATE	SUBMISSION	BY:
A	9/30/10	Issued for Review	SLF
B	10/11/10	Issued for Construction	SLF

SINGLE LINE DRAWINGS

NO.	DATE	SUBMISSION	BY:
A	8/18/10	Issued for Review	SLF
B	10/11/10	Issued for Construction	SLF
C	10/11/10	Issued with Future Equipment	SLF

AS-BUILT SET

NO.	DATE	SUBMISSION	BY:
D	12/14/10	Issued As-Built	SLF

REVISION RECORD

NO.	DATE	REVISION	BY:

JOB NUMBER:
 SCALE: N/A
 DESIGNED BY: N. Kimball
 ENGINEERED BY: L. Uhl
 DRAWN BY: S. Fannon
 PROJ. MANAGER: N. Kimball
 FILE NAME:

CLIENT:

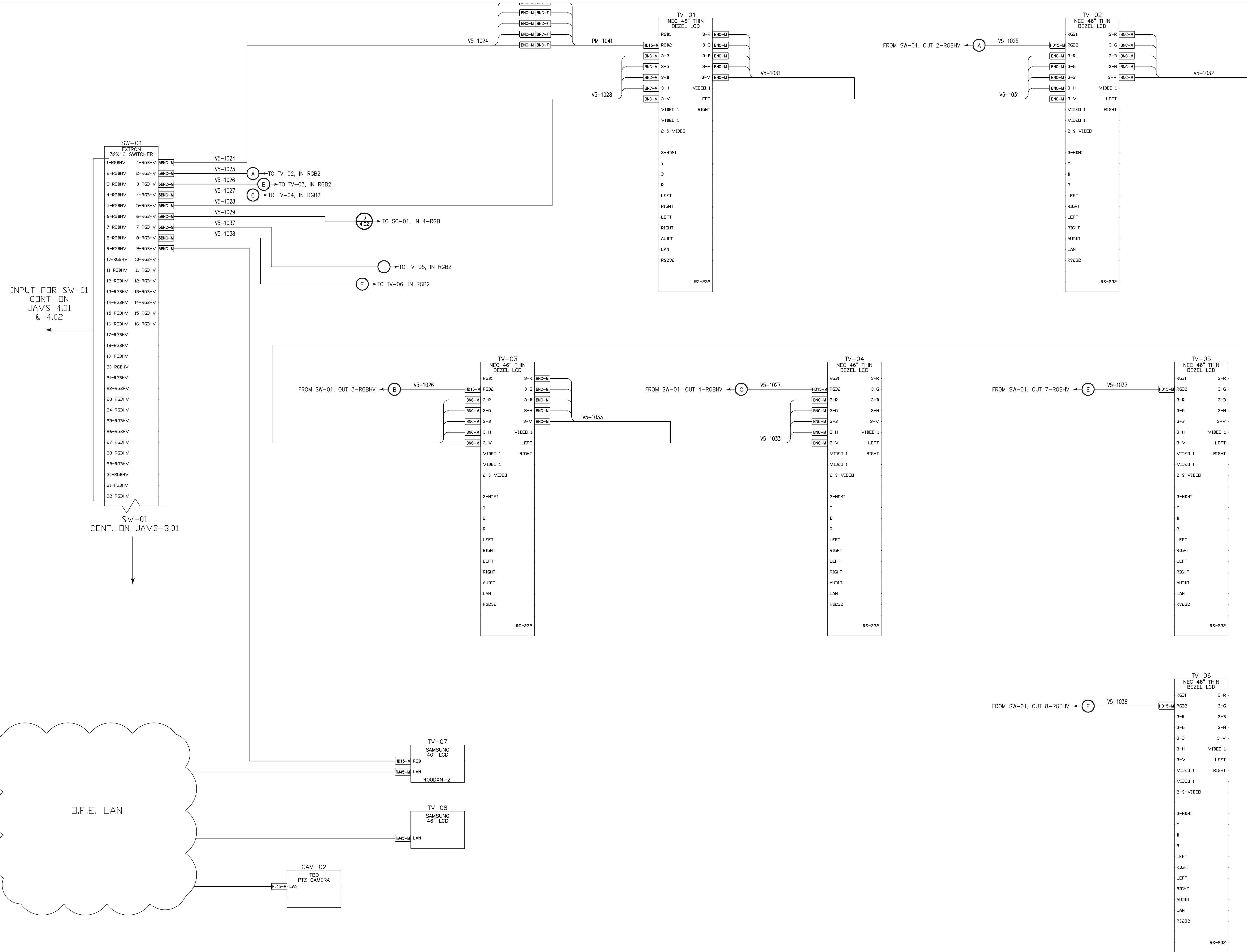
LOCATION:

PROJECT:
 Command Center
 Europe

DRAWING TITLE:
 Video
 Functional Diagram
 3 of 3

DRAWING NUMBER:

JAVS-4.03



INPUT FOR SW-01
 CONT. ON
 JAVS-4.01
 & 4.02

SW-01
 CONT. ON
 JAVS-3.01

D.F.E. LAN



Judge Audio Visual Solutions, Inc.
 421 Fehleley Drive, Suite E
 King of Prussia, PA 19406
 Tel: (610) 825-7040
 Fax: (610) 825-7046

All designs, concepts, ideas and arrangements depicted on these drawings are the property of Judge Audio Visual Solutions. No distribution, changes or deviations shall be allowed without the written consent of Judge Audio Visual Solutions.

AS-BUILT

SUBMISSION RECORD

CONSTRUCTION DRAWINGS

NO.	DATE	SUBMISSION	BY:
A	9/30/10	Issued for Review	SLF
B	10/11/10	Issued for Construction	SLF

SINGLE LINE DRAWINGS

NO.	DATE	SUBMISSION	BY:
A	8/18/10	Issued for Review	SLF
B	10/11/10	Issued for Construction	SLF
C	10/11/10	Issued with Future Equipment	SLF

AS-BUILT SET

NO.	DATE	SUBMISSION	BY:
D	12/14/10	Issued As-Built	SLF

REVISION RECORD

NO.	DATE	REVISION	BY:

JOB NUMBER:	
SCALE:	N/A
DESIGNED BY:	N. Kimball
ENGINEERED BY:	L. Uhl
DRAWN BY:	S. Fannon
PROJ. MANAGER:	N. Kimball
FILE NAME:	
CLIENT:	

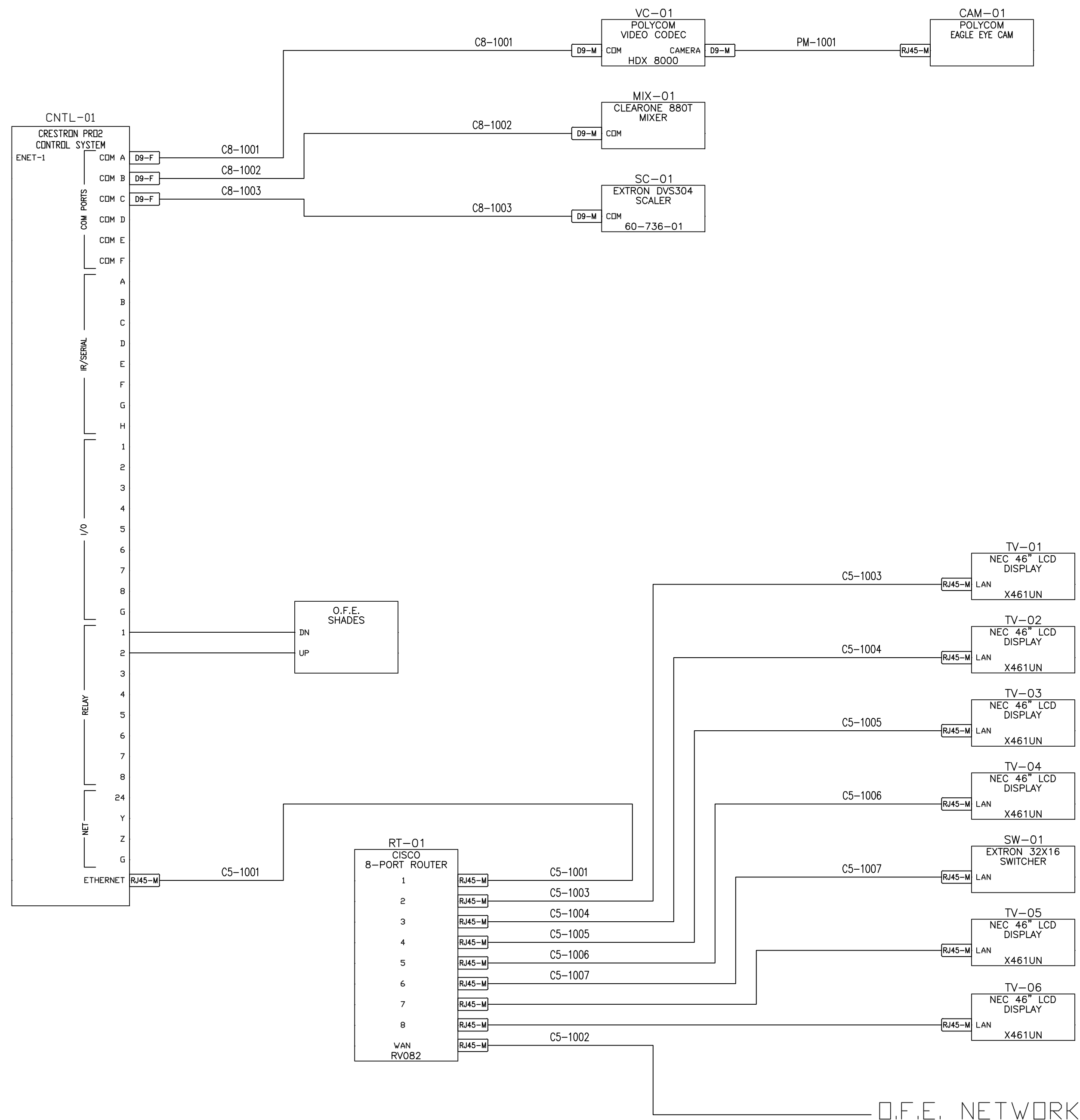
LOCATION:

PROJECT:
 Command Center
 Europe

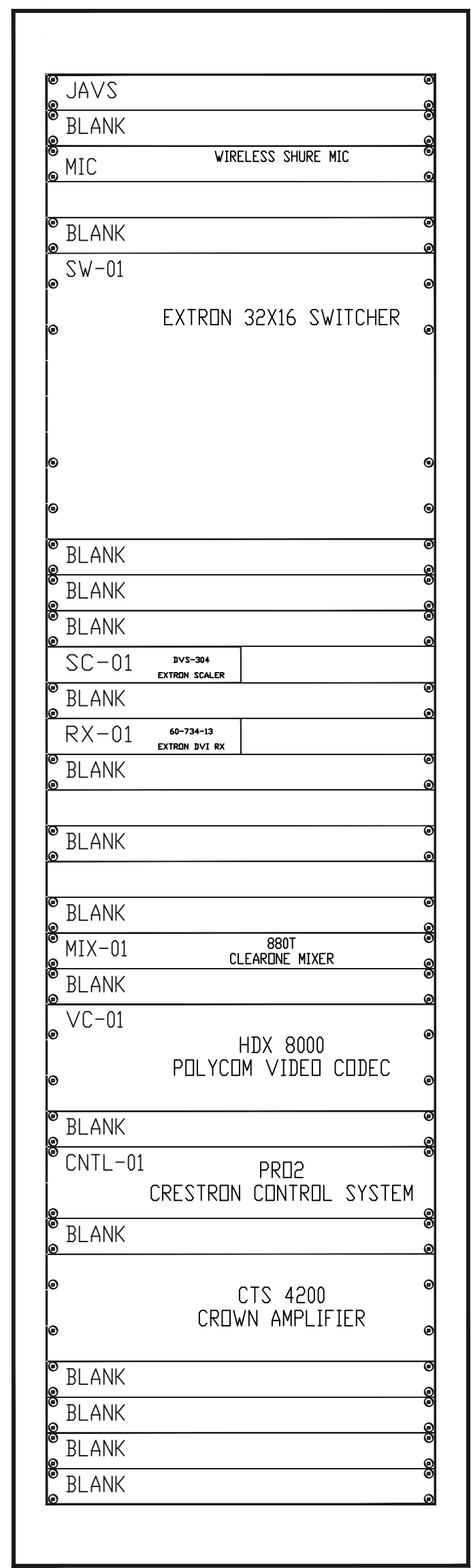
DRAWING TITLE:
 Control
 Functional
 Diagram

DRAWING NUMBER:

JAVS-5.01



RACK UNITS	HEIGHT INCHES
40	70.00
39	68.25
38	66.50
37	64.75
36	63.00
35	61.25
34	59.50
33	57.75
32	56.00
31	54.25
30	52.50
29	50.75
28	49.00
27	47.25
26	45.50
25	43.75
24	42.00
23	40.25
22	38.50
21	36.75
20	35.00
19	33.25
18	31.50
17	29.75
16	28.00
15	26.25
14	24.50
13	22.75
12	21.00
11	19.25
10	17.50
9	15.75
8	14.00
7	12.25
6	10.50
5	8.75
4	7.00
3	5.25
2	3.50
1	1.75
0	0.00





Judge Audio Visual Solutions, Inc.
 421 Fehleley Drive, Suite E
 King of Prussia, PA 19406
 Tel: (610) 825-7040
 Fax: (610) 825-7046

All designs, concepts, ideas and arrangements depicted on these drawings are the property of Judge Audio Visual Solutions. No distribution, changes or deviations shall be allowed without the written consent of Judge Audio Visual Solutions.

AS-BUILT

SUBMISSION RECORD

CONSTRUCTION DRAWINGS

NO.	DATE	SUBMISSION	BY:
A	9/30/10	Issued for Review	SLF
B	10/11/10	Issued for Construction	SLF

SINGLE LINE DRAWINGS

NO.	DATE	SUBMISSION	BY:
A	8/18/10	Issued for Review	SLF
B	10/11/10	Issued for Construction	SLF
C	10/11/10	Issued with Future Equipment	SLF

AS-BUILT SET

NO.	DATE	SUBMISSION	BY:
D	12/14/10	Issued As-Built	SLF

REVISION RECORD

NO.	DATE	REVISION	BY:

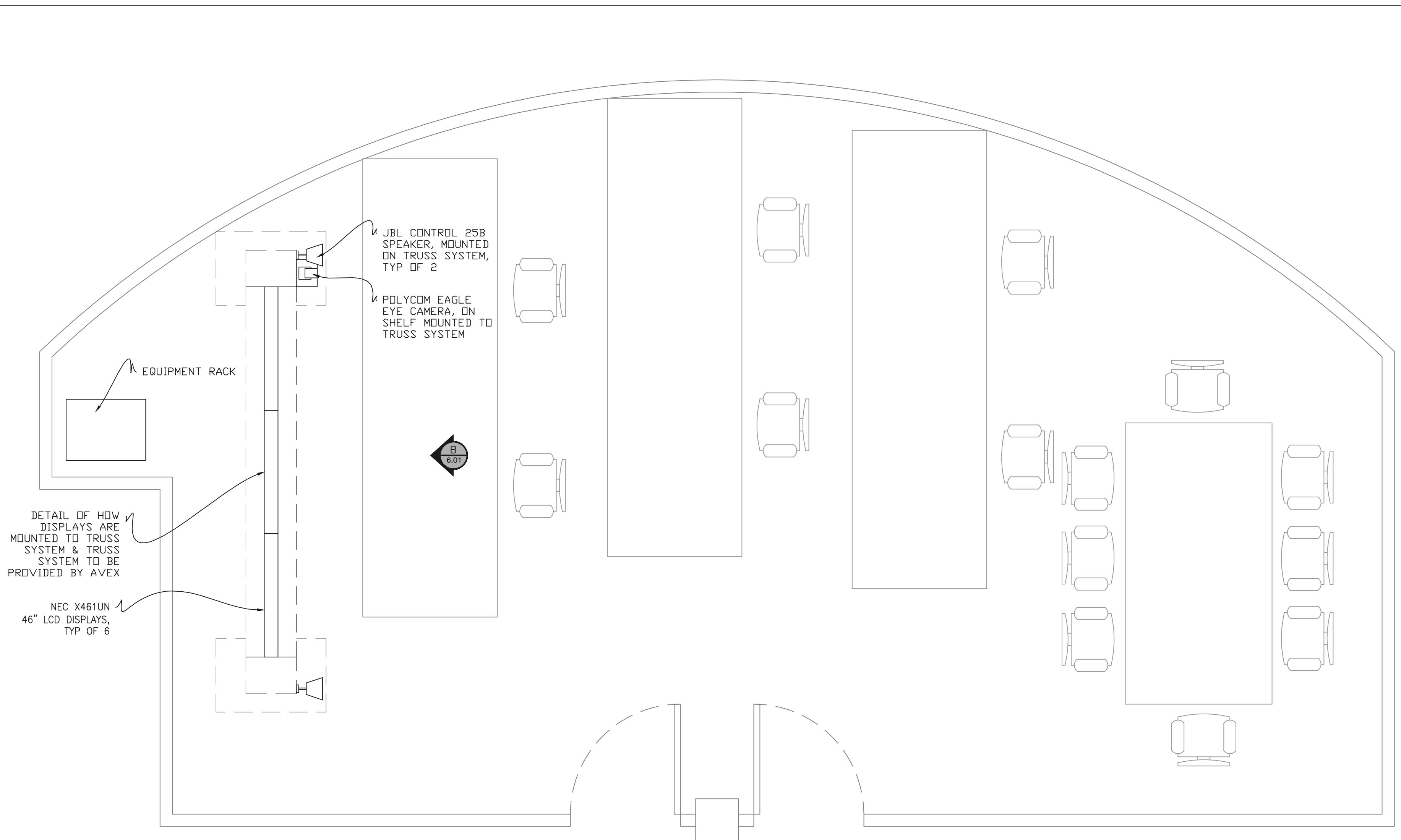
JOB NUMBER:
 SCALE: N/A
 DESIGNED BY: N. Kimball
 ENGINEERED BY: L. Uhl
 DRAWN BY: S. Fannon
 PROJ. MANAGER: N. Kimball
 FILE NAME:
 CLIENT:

LOCATION:

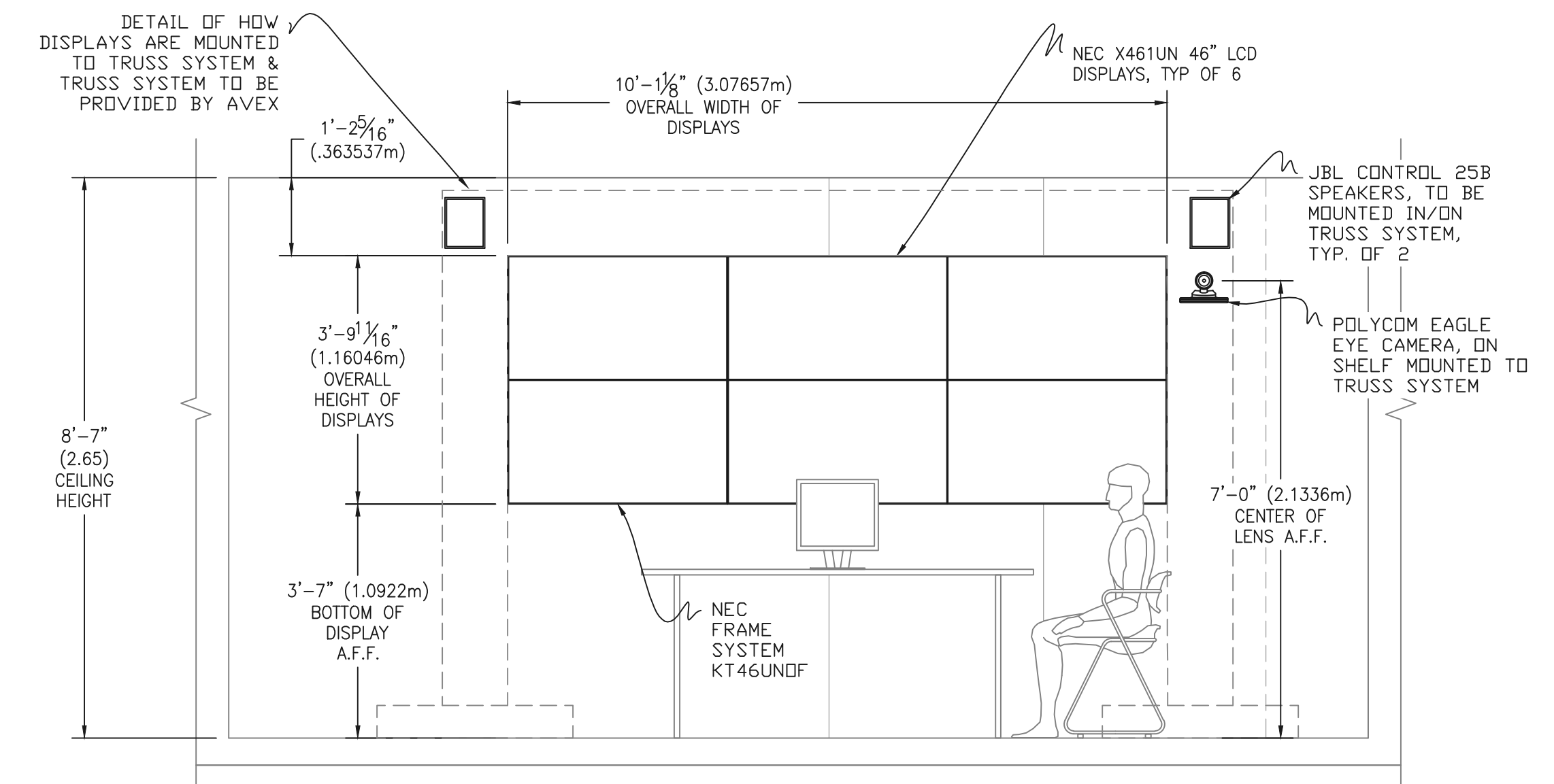
PROJECT:
 Command Center
 Europe

DRAWING TITLE:
 A/V Device Locations
 Plan, Section & Elevation
 Command Center

DRAWING NUMBER:
JAVS-6.01



A
 6.01
 A/V DEVICE LOCATIONS-PLAN VIEW-COMMAND CENTER
 SCALE: 1/2"=1'-0"



A
 6.01
 FACILITY ELEVATION-COMMAND CENTER
 SCALE: 1/2"=1'-0"